

JEC

Rotary lobe pumps JRZL



Description

Each feature of the JRZL rotary lobe pump has been designed to make pump disassembly faster, easier and cheaper. In this way cleaning and maintenance is done in the most efficient way.

Your benefits

- The forward directed seal position brings the seals into direct contact with CIP fluids
- Superior purity of the seal extends the seal life and prevents product contamination
- Excellent hygienic: Since the seals are located directly behind the rotors, no product trapping occurs
- Of course, rotary lobe pumps JRZL are also EHEDG certified!

Technical details

Max. flow	1670 l/min	Max. viscosity	1.000.000 mPas
Max. pressure	20 bar	Temperature range	-10 - +180 °C
Max. rotation speed	1000 rpm	Surface finish	Ra 0.6 µm (optional 0.4 µm)
Connections	DIN, ISO, Tri-Clamp, MSM, RJT, Flange	Certifications	3A, EHEDG, FDA. EC 1935/2004, ATEX

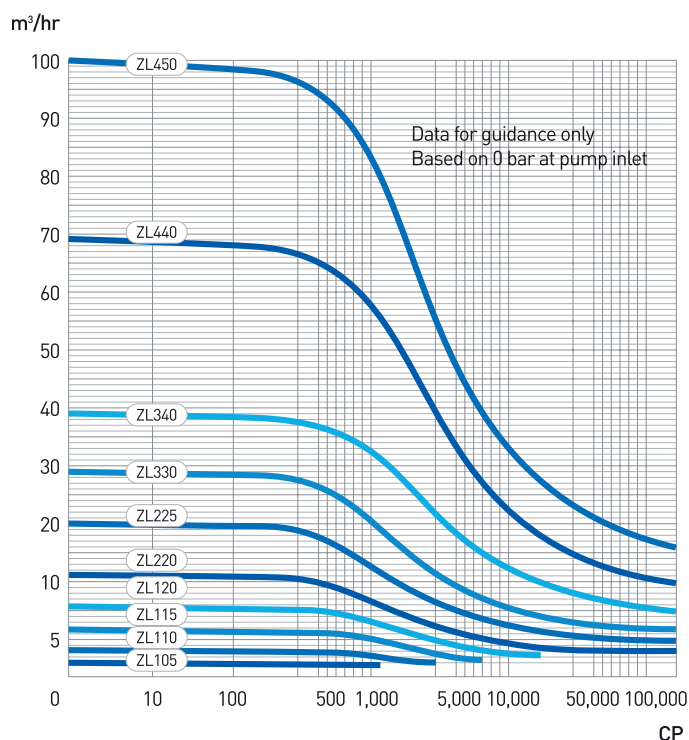
Summary

Size	Model	Flow/rpm min-1	Standard connection (mm)	Max. pressure (bar)	Max. rotation speed (rpm)
100	ZL105-002-20	0,02	25	20	1000
	ZL110-005-20	0,05	25	20	1000
	ZL115-012-12	0,12	38	12	800
	ZL120-021-08	0,21	50	8	800
200	ZL220-040-12	0,40	50	12	700
	ZL225-062-08	0,62	63	8	700
300	ZL330-102-12	1,02	76	12	600
	ZL340-144-08	1,44	100	8	600
400	ZL440-227-12	2,27	100	12	500
	ZL450-334-08	3,34	125	8	500

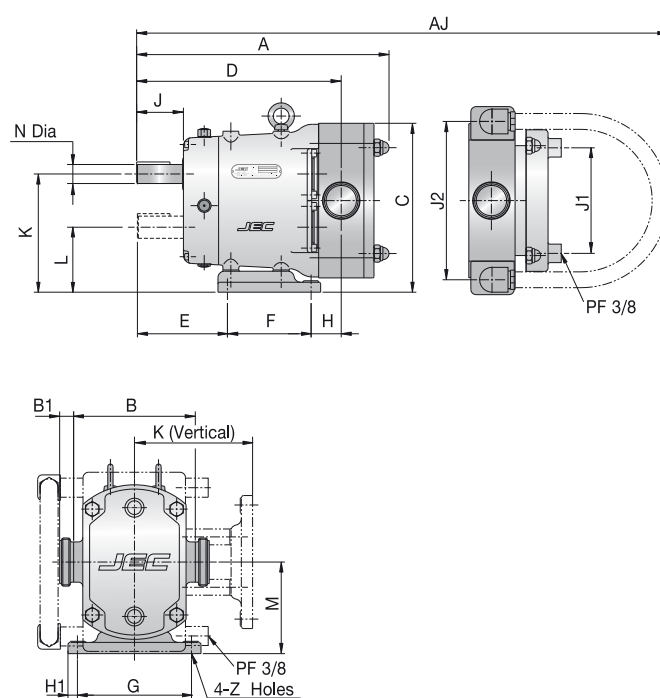
JEC

Rotary lobe pumps JRZL

Curve



Dimensions



Summary

Model	Connections	Dimensions in mm																			
		A	B	C	D	E	F	G	H	H1	J	K	L	M	N	X	Y	Z	AJ	J1	J2
ZL105-002-20	1"	264	152	198	219	96	84	134	39	12	47	141	77	109	22	34	8	9	425	122	180
ZL110-005-20	1"	264	152	198	219	96	84	134	39	12	47	141	77	109	22	34	8	9	425	122	180
ZL115-012-12	1½"	274	152	198	222	96	84	134	42	12	47	141	77	109	22	34	8	9	430	122	180
ZL120-021-08	2"	290	152	198	229	96	84	134	49	12	47	141	77	109	22	34	8	9	440	122	180
ZL220-040-12	2"	377	188	257	307	129	132	180	46	15	59	185	101	143	32	53	10	11	605	172	235
ZL225-062-08	2½"	400	188	257	320	129	132	180	54	15	59	185	101	143	32	53	10	11	630	172	235
ZL330-102-12	3"	475	242	344	389	154	160	242	75	22	70	243,5	128,5	186	45	57	14	13	720	246	308
ZL340-144-08	4"	500	242	344	402	154	160	242	88	22	70	243,5	128,5	186	45	57	14	13	744	246	308
ZL440-227-12	4"	620	324	458	505	198	210	320	97	30	80	324	170	247	55	67	14	15	830	358	420
ZL450-334-08	5"	655	324	458	522	198	210	320	121	30	80	324	170	247	55	67	14	15	896	358	420

Your local supplier:

lobe

Danmark
Fabriksvej 13 - 15
DK 6580 Vamdrup
Tel: (+45) 76 84 34 84
web: www.lobe.dk

Norge
Slemmestad veien 416 A
NO 1390 Vollen
Tel: (+47) 92 02 16 66
web: www.lobe.dk

All dimensions in mm (dimensions are approximate values)

VERDER
passion for pumps

